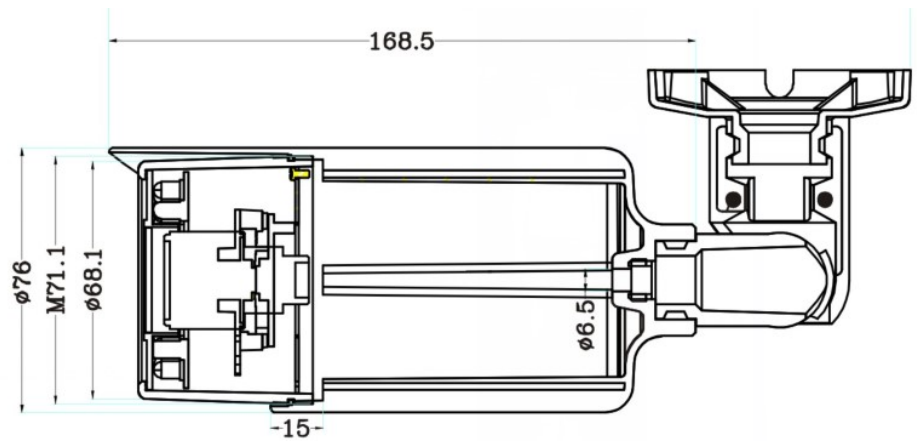
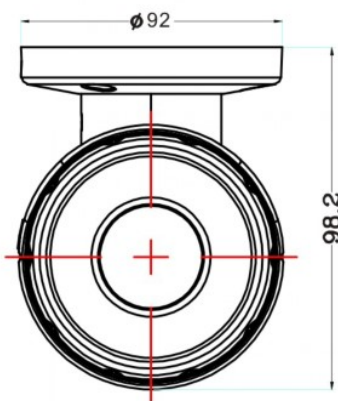
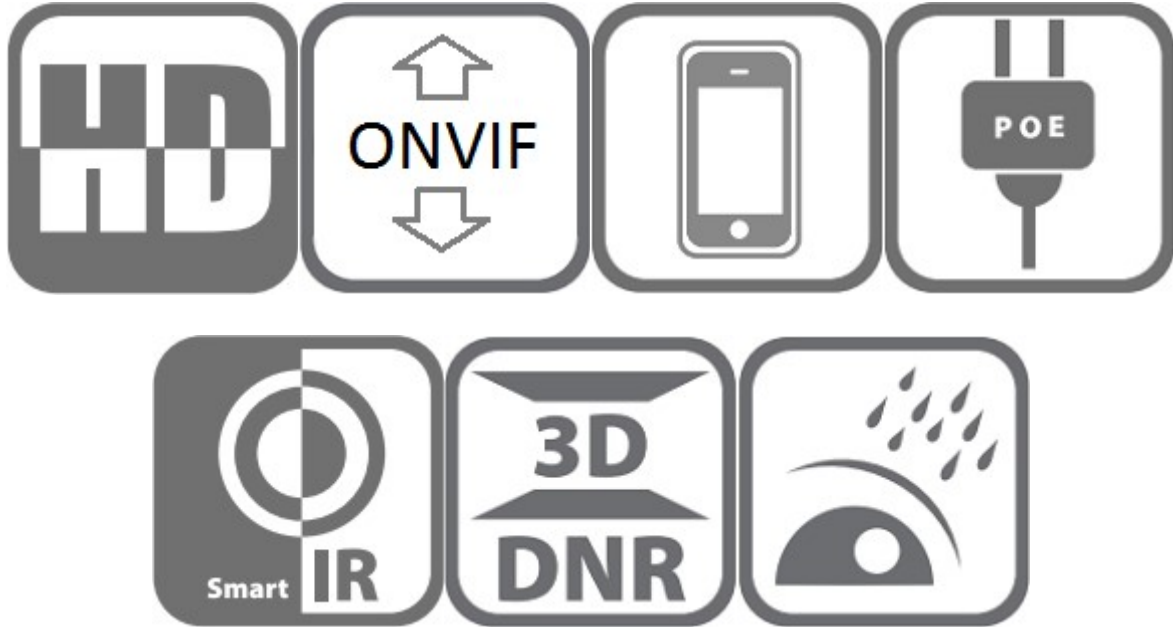




Model: APB131U

HD 960P BULLET IP Camera





Features:

- ❖ 1/3" Aptina CMOS sensor
- ❖ HD resolution 1280 x 960P
- ❖ Ultra low illumination 0.01Lux
- ❖ Day/Night (ICR), AWB, AGC, BLC, 2D/3D-DNR, IR-CUT
- ❖ Motion Detection, Privacy Mask, Mirror
- ❖ RTSP and Onvif 2.4 compatible
- ❖ H.264 dual-stream media server
- ❖ Easy-to-use P2P Cloud service
- ❖ Multi web browser, PC Client, mobile APP remote access
- ❖ Built-in POE 802.3af.
- ❖ Lightning protection 4000V
- ❖ Strong water-proof housing, IP66
- ❖ 6 pcs Array IR Leds, IR distance 30-40 meters
- ❖ 2.8-12 mm VF lens



Technical Specifications:

Model	APB131U
Camera	
Image Sensor	1/3" Aptina CMOS
Effective Pixels	1280(H)×960 (V)
Electronic Shutter	AUTO, 1/25s ~ 1/100000s
Min. Illumination	0.01Lux@F1.2(AGC ON), 0Lux IR on
Day/Night	Auto/Color/(B/W)/Timing
White Balance	Auto/Indoor/Outdoor
AGC/BLC	Support
DNR	2D/3D DNR
Other	Motion Detection, Privacy Mask, Mirror, Flip
Encode	
Embedded Solution	Hi3518E
Video Standard	H.264
Video Resolution	Main stream: 1280x960P@20fps/1280x720P/D1@25fps Sub stream: VGA/360P@25fps
Video Bitrates	32Kbps - 6Mbps, VBR/CBR
Audio Standard	G.711-u
IR Led	
IR Led	6 pcs Array IR Leds
IR Distance	30-40 M
Lens	
Focal length	2.8 - 12 mm VF lens
Zoom	X4
Optional Function	
POE, Audio, etc.	
Network Services	
Protocol	RTSP/FTP/PPPOE/DHCP/DDNS/NTP/UPnP
P2P	Yes
Web	IE , Firefox, etc.
Media	CMS, Android, IOS
ONVIF	2.4 compatible
General	
Network Port	1-RJ45, 100Mbps
PoE	Built-in PoE 802.3af
Power Consumption	< 8 W
Operating Temp.	-30℃-(+60)℃, 10%-90%RH